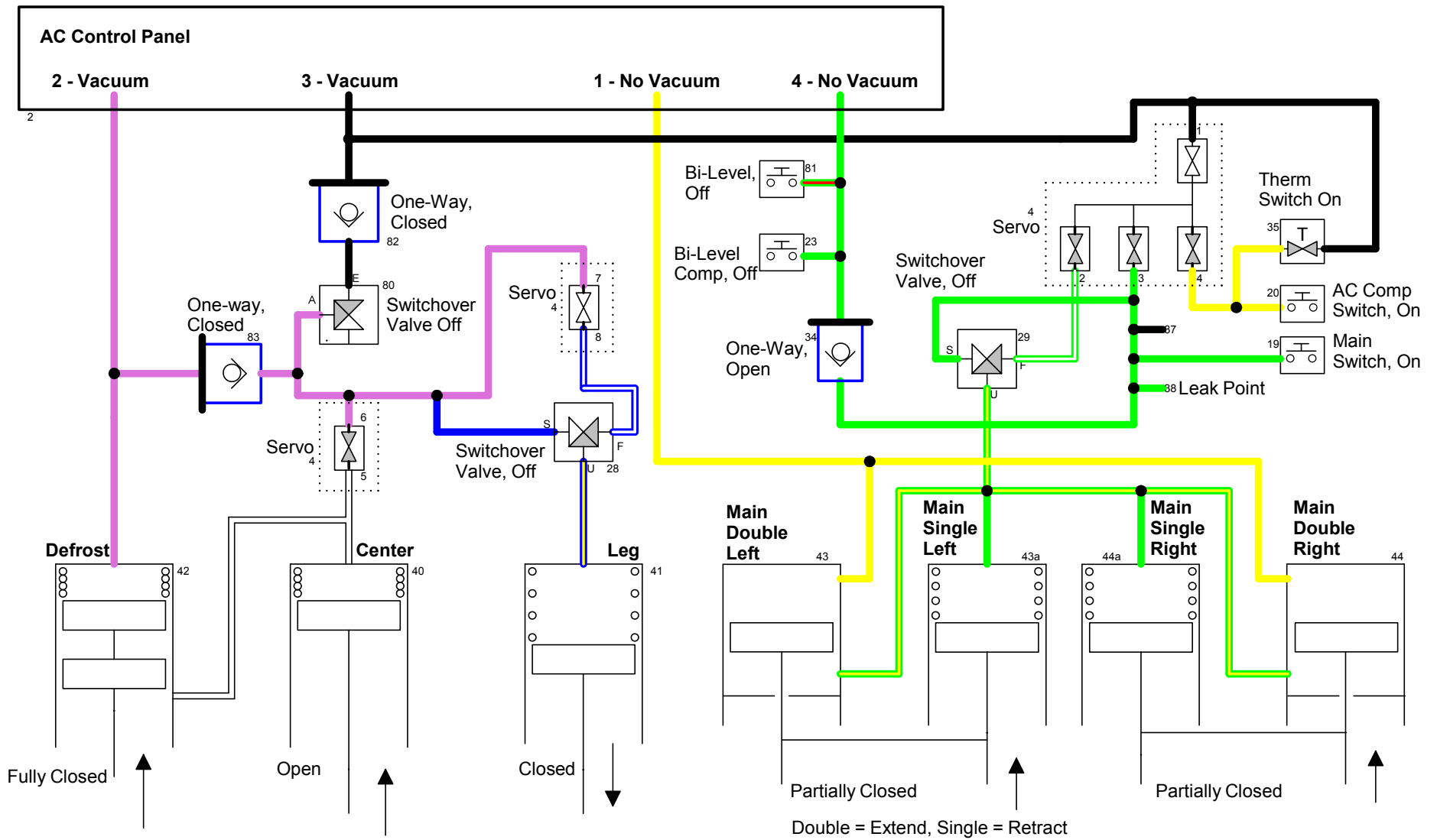


107 Chassis ACCII Function 1, Off, Compressor Off

UnwiredTools, LLC

2200 East Cedar #1
Flagstaff, AZ 86004

Date: 11/15/2005

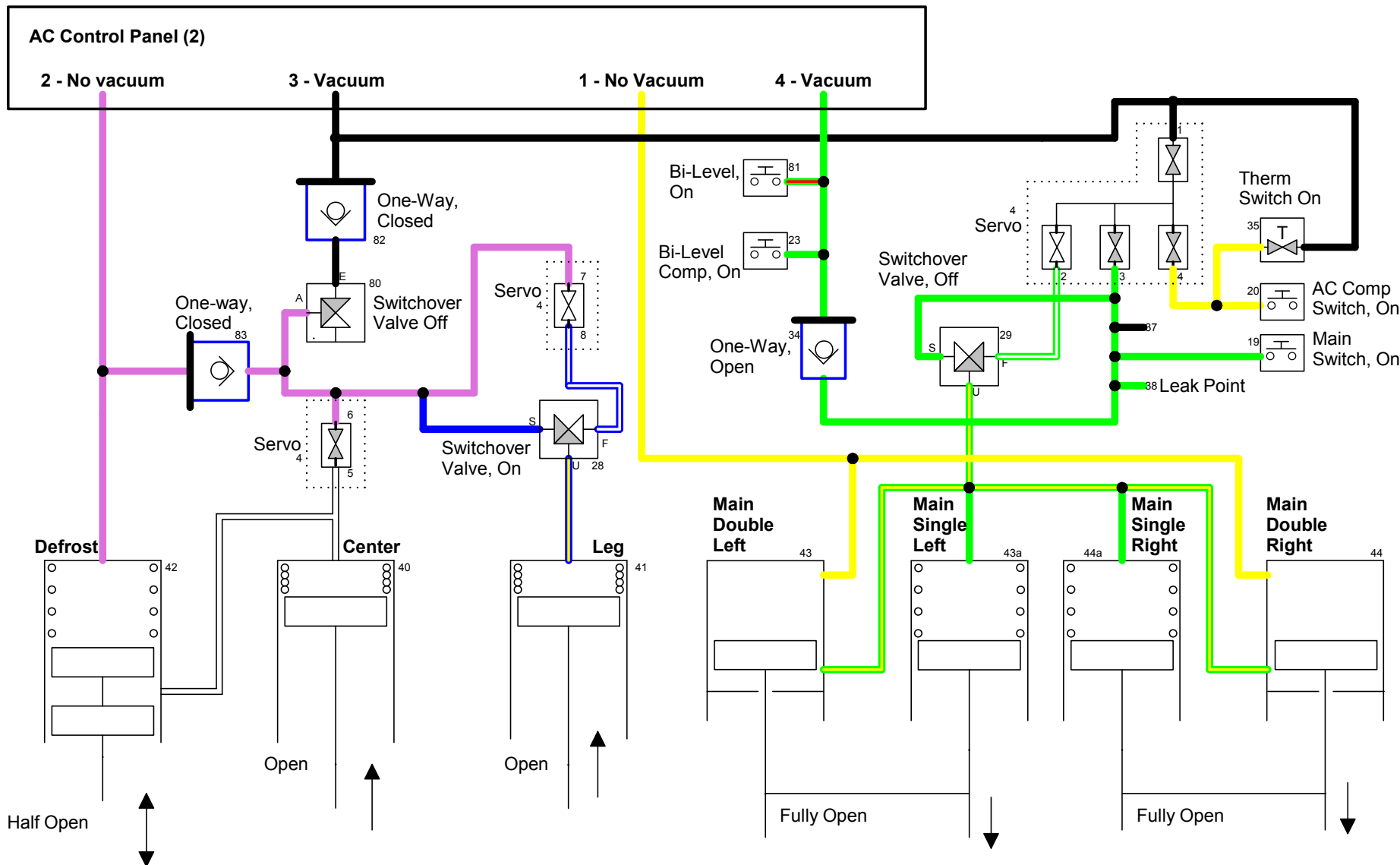


107 Chassis ACCII Function 2, Auto-Lo or Auto-Hi, Compressor On

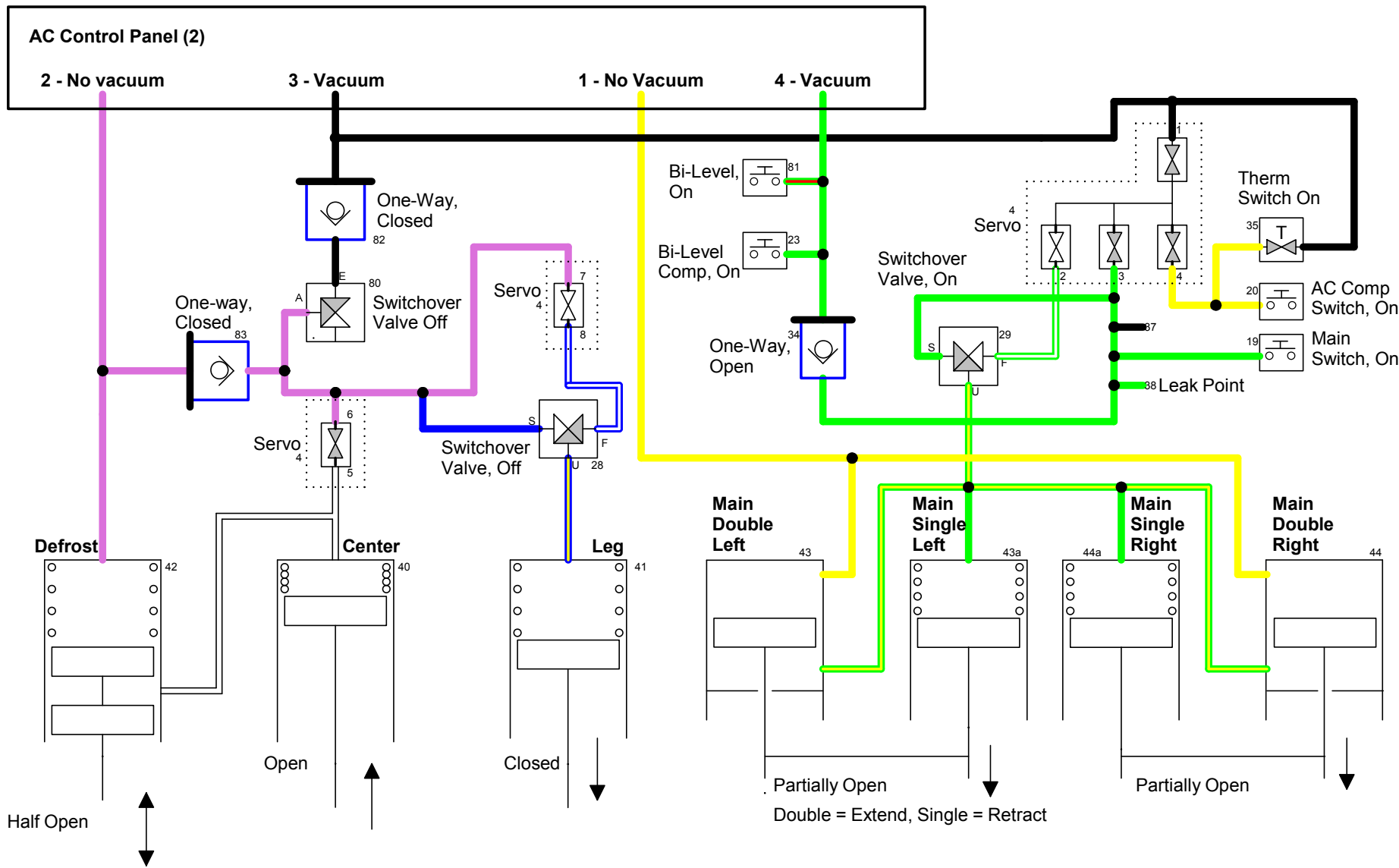
UnwiredTools, LLC

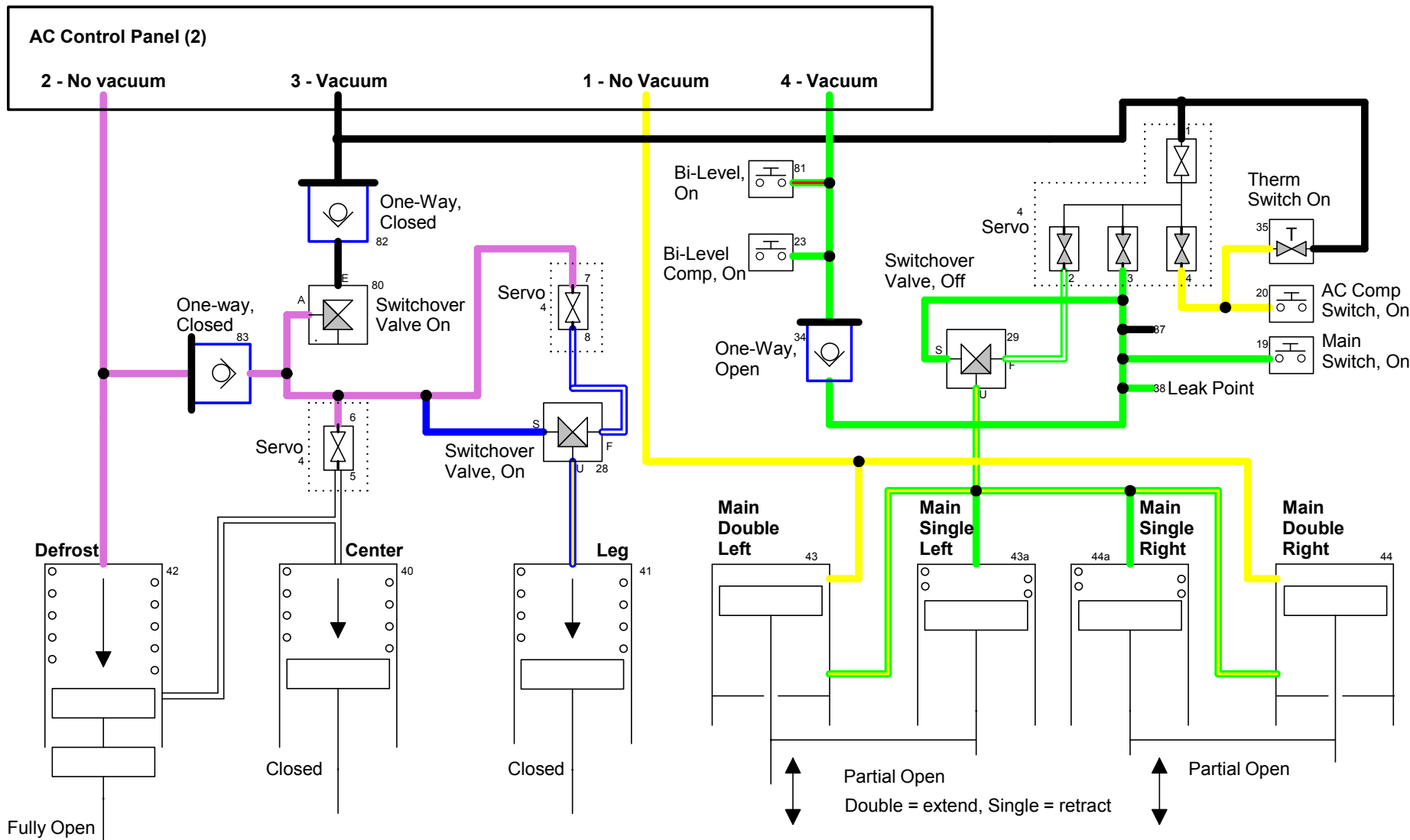
2200 East Cedar #1
Flagstaff, AZ 86004

Date: 11/15/2005



107 Chassis ACCII Function 6, Bi-Level Cooling Compressor On





107 Chassis ACCII Function 10, Defrost		
UnwiredTools, LLC	2200 East Cedar #1 Flagstaff, AZ 86004	Date: 11/15/2005